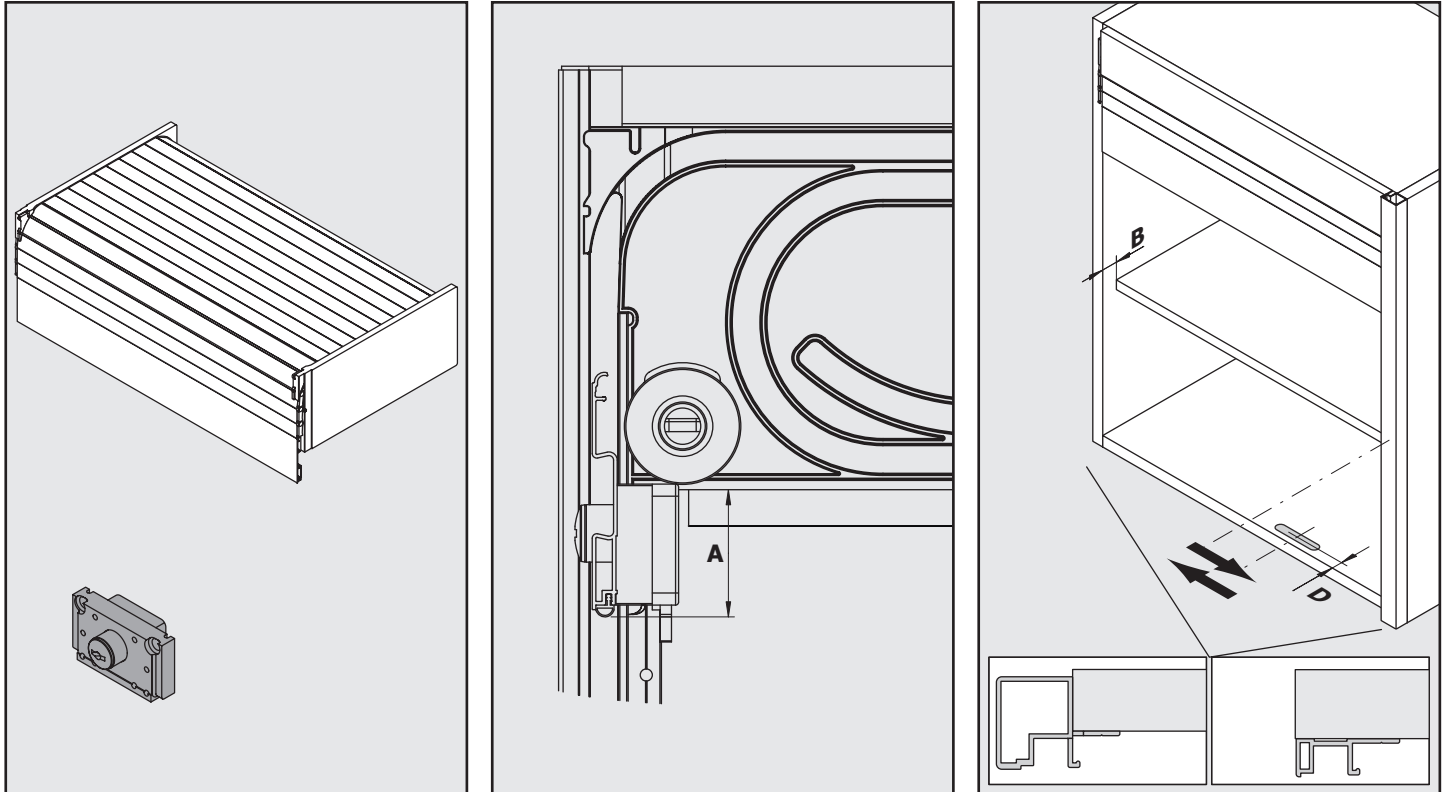


Important note:

The following illustration shows the influence of the lock on the cabinet construction. The measurements are based on manufacturers specifications as well as own tests. They reflect the current level of knowledge. Despite careful examination we provide no guarantee for the completeness and correctness of this information.



	Lock	A (mm)	System Contour		System Frame	
			B min (mm)	D (mm)	B min (mm)	D (mm)
<input type="checkbox"/>	Lehmann Prestige P2 Type 416 (or similar)	41	16,5	7,6	32	23,6
<input type="checkbox"/>	Lehmann Prestige P2 Type 292 (or similar)	42	16	XXX	33	XXX
<input type="checkbox"/>	Häfele Symo 232.30.620 (or similar)	44,5	22	14,2	37,5	30,2
<input type="checkbox"/>	Häfele Symo 237.76.620 (or similar)	51,5	13	XXX	29	XXX
<input type="checkbox"/>	Hekna 1280F (or similar)	43,5	22	14,2	37,5	30,2
<input type="checkbox"/>	Hekna 630 (or similar)	25	13	XXX	29	XXX
<input type="checkbox"/>	Heusser Für KABA 1057/1008 C (or similar)	34	20	XXX	35,5	XXX