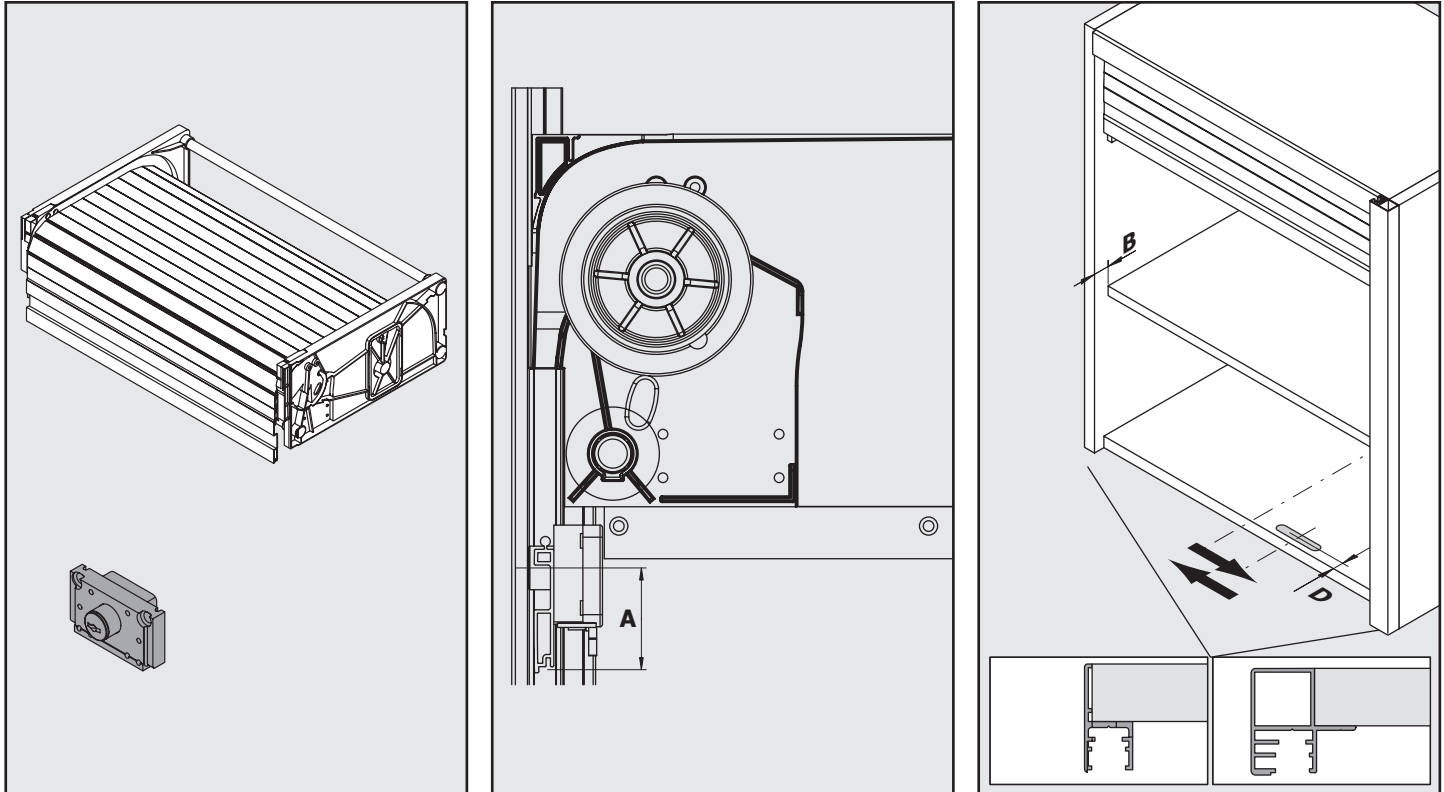


Important note:

The following illustration shows the influence of the lock on the cabinet construction. The measurements are based on manufacturers specifications as well as own tests. They reflect the current level of knowledge. Despite careful examination we provide no guarantee for the completeness and correctness of this information.



			System Yankee		System Contour	
	Lock	A (mm)	B min (mm)	D (mm)	B min (mm)	D (mm)
<input type="checkbox"/>	Lehmann Prestige P2 Type 416 oder ähnlich (or similar)	19	28	19,4	16	6,6
<input type="checkbox"/>	Lehmann Prestige P2 Type 292 oder ähnlich (or similar)	19	25	XXX	12	XXX
<input type="checkbox"/>	Häfele Symo 232.30.620 oder ähnlich (or similar)	19	34	26	21	13,2
<input type="checkbox"/>	Häfele Symo 237.76.620 oder ähnlich (or similar)	19	25	XXX	12	XXX
<input type="checkbox"/>	Hekna 1280 F oder ähnlich (or similar)	19	34	26	21	13,2
<input type="checkbox"/>	Hekna 630 oder ähnlich (or similar)	19	24	XXX	11	XXX
<input type="checkbox"/>	Heusser Für KABA 1057/1008 C oder ähnlich (or similar)	30	29	XXX	16	XXX